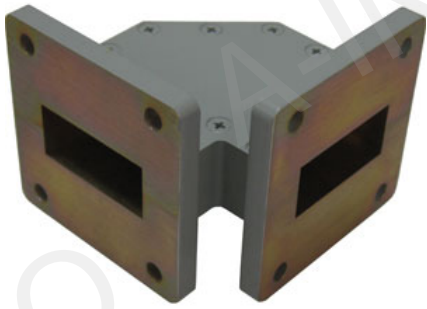
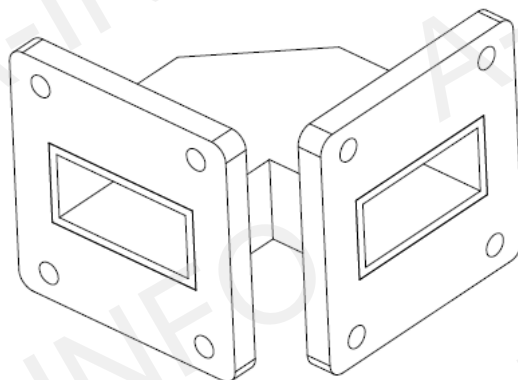
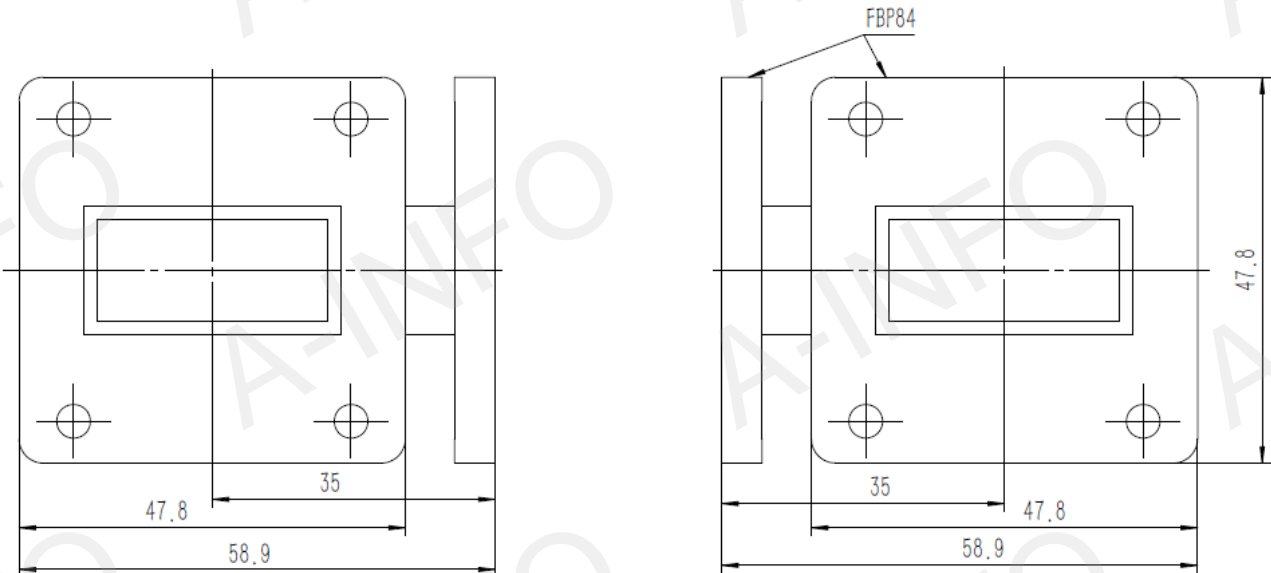


## Technical Specification

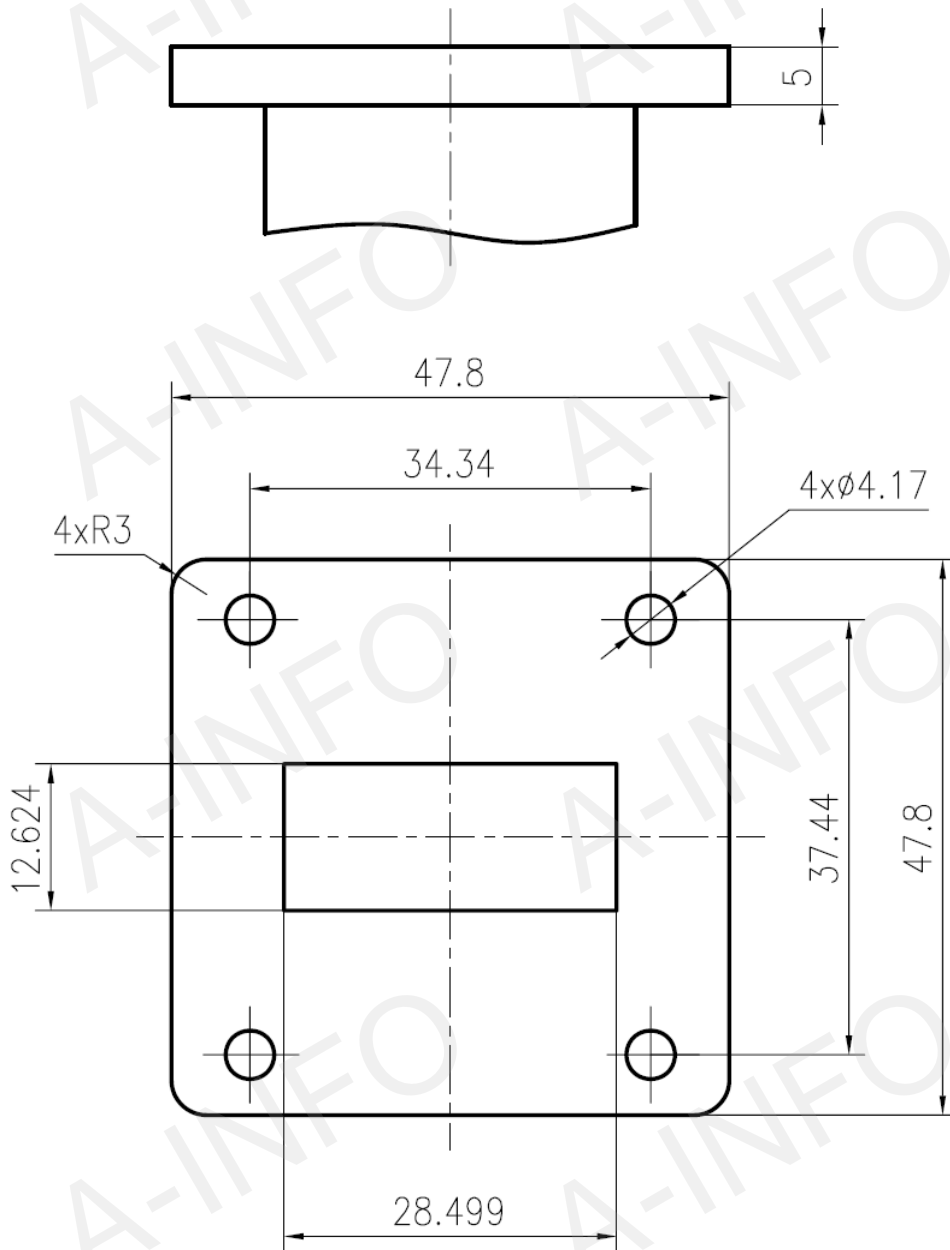


EIA WR	WR112
Frequency Range(GHz)	7.05 – 10.0
VSWR	1.30 max
Flange	FBP84
Material	Al
Size(mm)	58.9x58.9x49.2
Net Weight(Kg)	0.10 Around

## Outline Drawing (Size: mm)



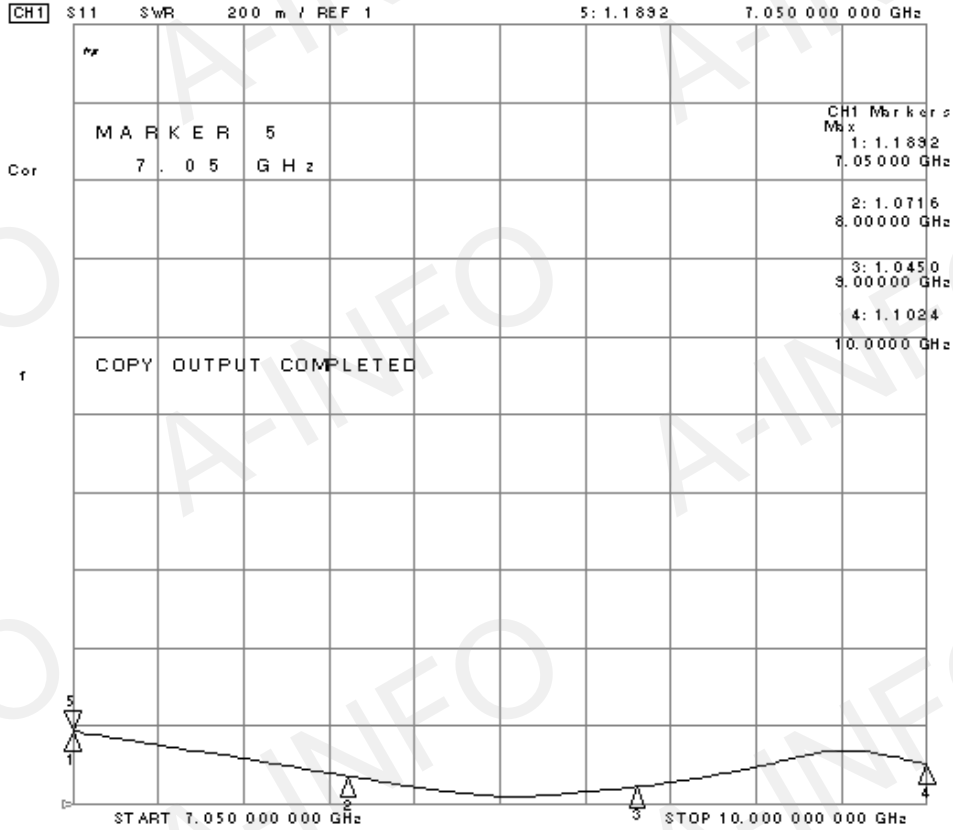
## Flange Drawing (Size: mm)



## FBP84

## Test Results

### VSWR



### Insertion Loss

